

# 210 & T210 Parts Catalog

De-Ice System (Cont)

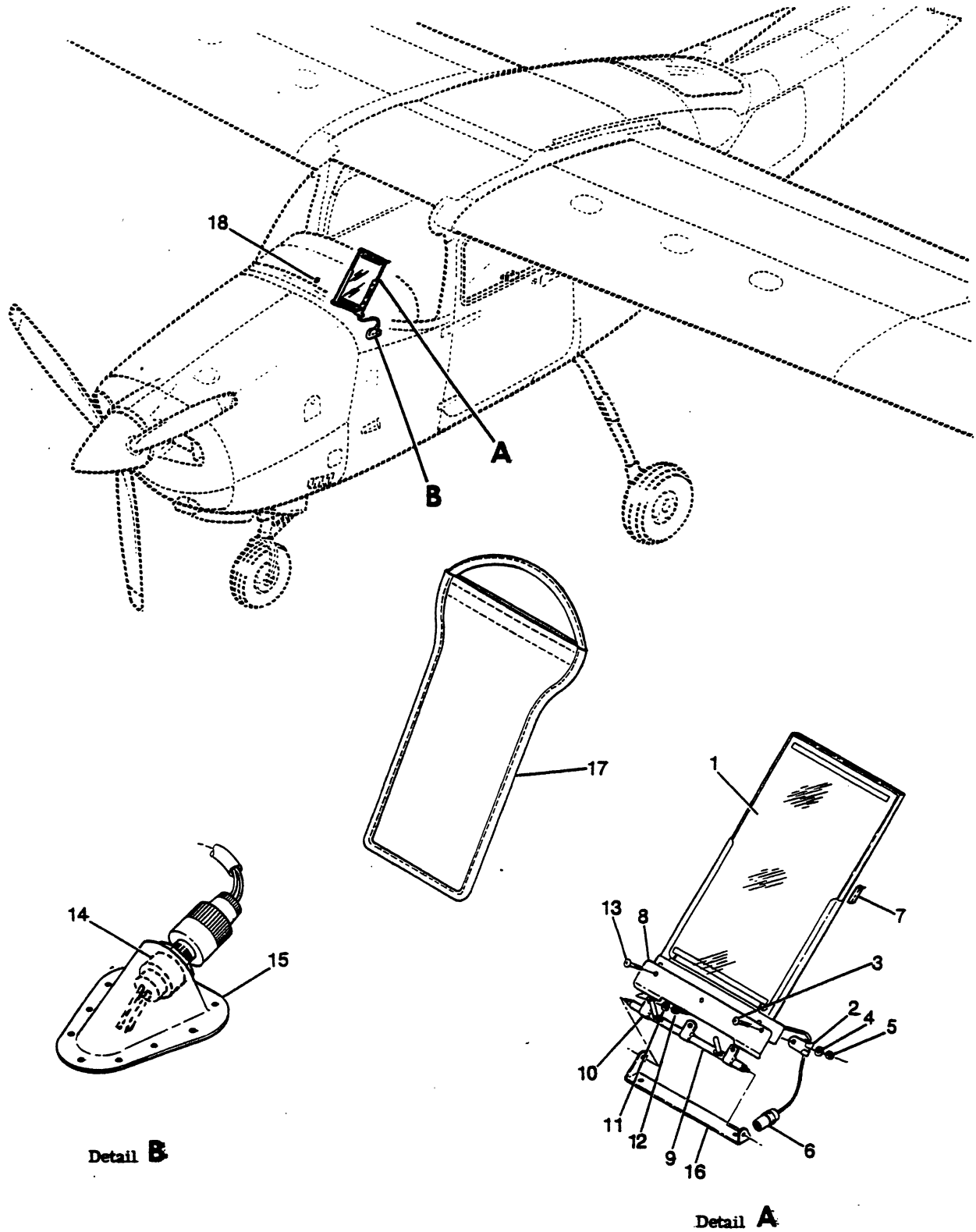


Figure 149. Windshield Anti-Ice Installation - Removable

## 210 & T210 Parts Catalog

FIGURE AND INDEX NO.	PART NUMBER	DESCRIPTION	UNITS PER ASSY	USABLE ON CODE
		1 2 3 4 5 6 7		
149 -		WINDSHIELD ANTI-ICE INSTALLATION-REMOVABLE -----	NP	
- 1	1513460-6	ANTI-ICE ASSY-WINDSHIELD -----	1	
- 2	1513470-5	FRAME ASSY-WINDSHIELD ANTI-ICE -----	1	
	MS21919DG2	CLAMP -----	1	
		ATTACHING PARTS		
- 3	AN515-6R6	SCREW -----	1	
- 4	AN960-6	WASHER -----	1	
- 5	MS21044N06	NUT -----	1	
		*-----		
- 6	KPT06E8-2P	PLUG CED -----	1	
- 7	1513478-1	BUMPER -----	2	
- 8	1513477-5	STOP ASSY-WINDSHIELD ANTI-ICE -----	1	
- 9	1513463-1	RELEASE ASSY-WINDSHIELD ANTI-ICE -----	1	
		ATTACHING PARTS		
-10	AN742D5	CLAMP -----	3	
-11	AN960-6	WASHER -----	3	
-12	MS21044N06	NUT -----	3	
-13	AN515-6R6	SCREW -----	3	
		*-----		
-14	MS3114E8-2S	CONNECTOR -----	1	
-15	2101012-1	COVER-ANTI-ICE PLUG -----	1	
-16	1201060-6	BRACKET-ATTACH -----	1	
-17	1500135-1	CASE ASSY-STORAGE -----	1	
-18		SWITCH/CIRCUIT BREAKER SEE SWITCH & CIRCUIT BREAKER -----	1	
		PANEL INSTALLATION		