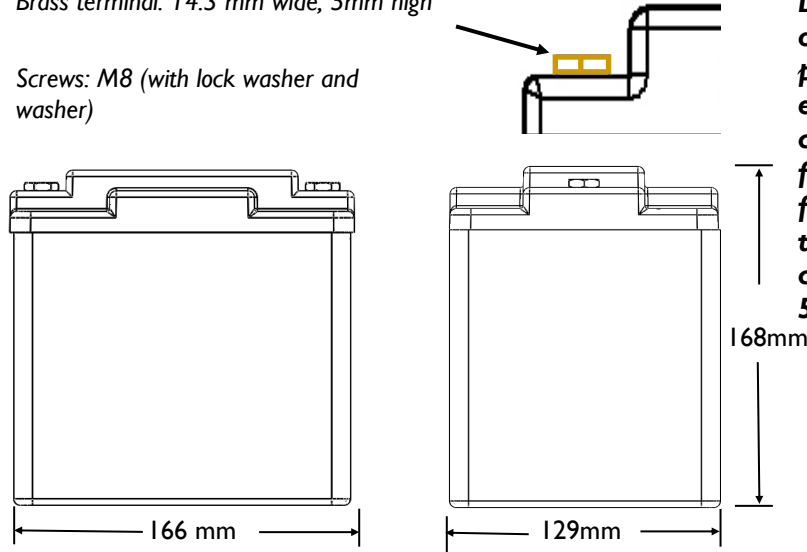


▶ DIMENSIONS

Brass terminal: 14.3 mm wide, 5mm high

Screws: M8 (with lock washer and washer)



Lightweight LiFePO4 battery with exclusive over discharge protection, over charge protection, short circuit protection, excessive cranking protection and built in cell balancing technology. All of these features are redundant with an LED battery fault light indicator and RS-232 communications. Designed for turbine engines parallel configuration) and piston engines up to 550ci.



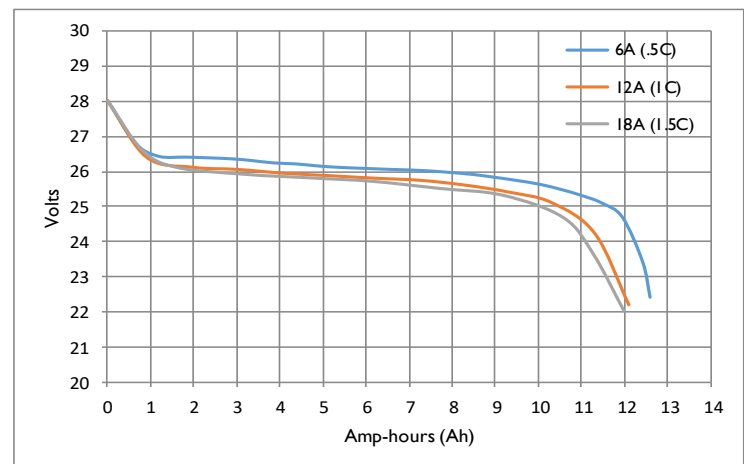
▶ SPECIFICATIONS

Specifications

Voltage	26.4 V
Capacity	11.7Ah (See charts)
Capacity vs Temperature	25 °C = 100% 0°C = 97% -30°C = 95% (11.3Ah at this temperature)
Self-Discharge Rate	< 3% / month @ 25 °C
23DegC Crank Amps Ipp/Ipr (peak/15 sec)	850/500A
-18DegC Cold Crank Amps Ipp/Ipr (peak/15 sec)	400/250A
Max Discharge Amps (30min)	24A
Standard Charge Voltage	27.6 - 29V
Recommended Charge Amps	5 - 15A
Max Charge Amps	70A (from charging system)
Life (Charge cycles)	4000 cycles @ 1C discharge rate, 25°C (20% depth of discharge) (DOD) 2000 cycles @ 10C, 25°C (80% DOD)
Life (Years)	Up to 6 Years
Weight	7.2lb. (3.27Kg)
Dimensions	6.5 in (L) x 5.1 in (W) x 6.6 in (H); 166mm(L) x 129mm (W) x 168mm (H)
Environmental Rating (water resistance)	IP 66 (wash down with a high pressure washer)
Operating Temperature (short term)	-30°C to +60°C (+65°C for 30 minutes)
Storage Temperature	-40°C to +70°C
Ground Survival Temperature	+85°C
Maximum Altitude	50,000Ft
Shelf Life	1 year (without charging)

Discharge Characteristics

Discharge Ah (multiple discharge rates)



Discharge Minutes (multiple discharge rates)

