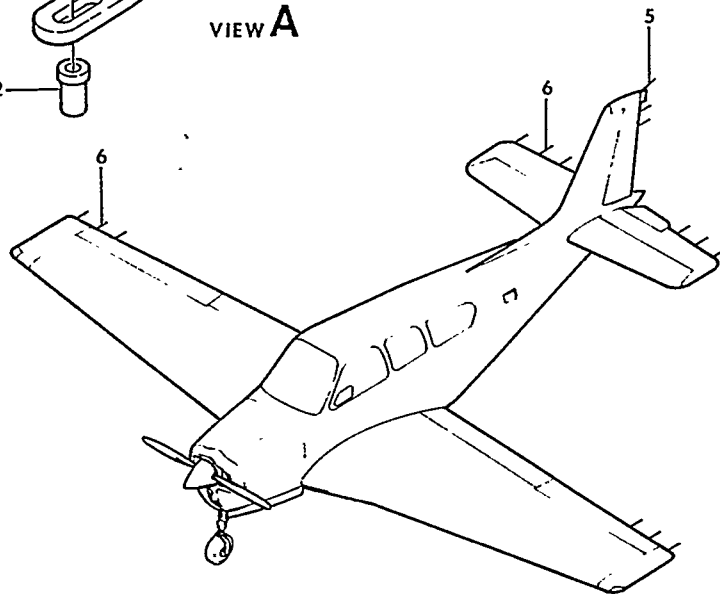
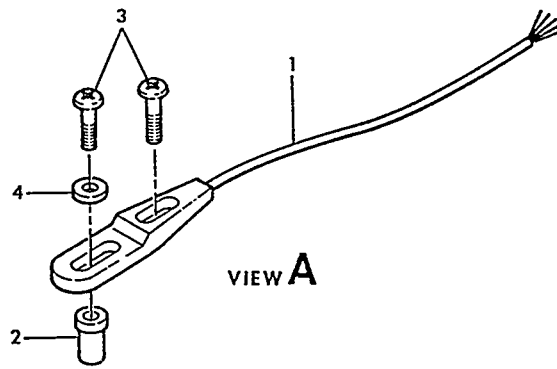
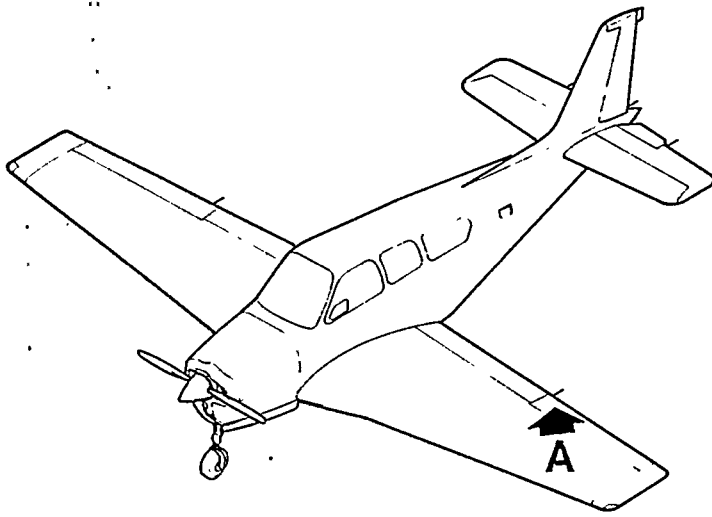


BEECHCRAFT  
BONANZA 33  
ILLUSTRATED PARTS CATALOG



33-363-1

B E E C H C R A F T  
B O N A N Z A 3 3  
I L L U S T R A T E D P A R T S C A T A L O G

FIG. & ITEM NO.	PART NO.	DESCRIPTION	UNITS PER ASSY	USABLE ON CODE
		1 2 3 4 5 6 7		
363	36-360019-1	WICK INSTL,STATIC ELIMINATOR. . . . .	NP	.1
- 1	35-5010-3	. DISCHARGER,STATIC . . . . . /ATTACHING PARTS/	5	1
- 2	MS21083C06	. NUT,LOCK. . . . .	2	1
- 3	MS35206-220	. SCREW . . . . .	2	1
- 4	105090D032-1M	. WASHER. . . . .	2	1
	36-360024-1	WICK INSTL,STATIC ELIMINATOR. . . . .	NP	3
	36-360024-17	WICK INSTL,STATIC ELIMINATOR. . . . .	NP	4
- 5	36-360024-7	. WICK ASSY,STATIC/RUDDER/. . . . .	3	2
	B3	. . BASE,MOUNTING . . . . .	1	2
	DD1W	. . DISCHARGER,STATIC . . . . .	1	2
- 6	58-360032-3	. WICK ASSY,STATIC/WING & ELEVATOR/ . . . . .	12	2
	B1	. . BASE,MOUNTING . . . . .	1	2
	DD1W	. . DISCHARGER,STATIC . . . . .	1	2
	36-360024-11	WICK INSTL,STATIC ELIMINATOR. . . . .	NP	5
	36-360024-21	WICK INSTL,STATIC ELIMINATOR. . . . .	NP	6
	36-360024-9	. WICK ASSY,STATIC/RUDDER/. . . . .	1	7
	82B002-01	. . BASE,MOUNTING . . . . .	1	7
	DD1W	. . DISCHARGER,STATIC . . . . .	1	7
	58-360032-7	. WICK ASSY,STATIC/WING & ELEVATOR/LH/. . . . .	1	7
	58-360032-8	. WICK ASSY,STATIC/WING & ELEVATOR/RH/. . . . .	1	7
	82B001-21	. . BASE,MOUNTING LH. . . . .	1	7
	82B001-31	. . BASE,MOUNTING RH. . . . .	1	7
	DD1W	. . DISCHARGER,STATIC . . . . .	1	7

C O D E S O F E F F E C T I V I T Y

- |   |                      |   |                      |
|---|----------------------|---|----------------------|
| 1 | CD-1235 THRU CD-1304 | 2 | CE-978 THRU CE-1025  |
|   | CE-290 THRU CE-977   |   |                      |
|   | CJ-26 THRU CJ-155    |   |                      |
| 3 | CE-978 THRU CE-1022  | 4 | CE-1023 THRU CE-1025 |
| 5 | CE-1026 AND AFTER    | 6 | CJ-156 AND AFTER     |
| 7 | CE-1026 AND AFTER    |   |                      |
|   | CJ-156 AND AFTER     |   |                      |